


e-chains® | Series 1400 snap-open along inner radius

e-chains® | Series 1500 snap-open along outer radius

e-chains® snap-open along inner radius	e-chains® snap-open along outer radius		<i>Bi</i> [mm]	<i>Ba</i> [mm]	<i>R</i> Bending radii [mm]										1400 [kg/m]	1500 [kg/m]
1400. 015 . <i>R</i> .0	1500. 015 . <i>R</i> .0		15	28,5	035	038	048	075	100	125	145	180	≈ 0,46	≈ 0,46		
1400. 020 . <i>R</i> .0	1500. 020 . <i>R</i> .0		20	33,5	035	038	048	075	100	125	145	180	≈ 0,47	≈ 0,47		
1400. 025 . <i>R</i> .0	1500. 025 . <i>R</i> .0		25	38,5	035	038	048	075	100	125	145	180	≈ 0,49	≈ 0,49		
1400. 038 . <i>R</i> .0	1500. 038 . <i>R</i> .0		38	51,5	035	038	048	075	100	125	145	180	≈ 0,53	≈ 0,53		
1400. 050 . <i>R</i> .0	1500. 050 . <i>R</i> .0		50	63,5	035	038	048	075	100	125	145	180	≈ 0,56	≈ 0,56		
1400. 068 . <i>R</i> .0	1500. 068 . <i>R</i> .0		68	81,5	035	038	048	075	100	125	145	180	≈ 0,63	≈ 0,63		
1400. 080 . <i>R</i> .0	1500. 080 . <i>R</i> .0		80	93,5	035	038	048	075	100	125	145	180	≈ 0,67	≈ 0,67		
1400. 100 . <i>R</i> .0	1500. 100 . <i>R</i> .0		100	113,5	035	038	048	075	100	125	145	180	≈ 0,74	≈ 0,74		
1400. 125 . <i>R</i> .0	1500. 125 . <i>R</i> .0		125	138,5	035	038	048	075	100	125	145	180	≈ 0,83	≈ 0,83		

Half e-tubes, Series 1450 and full e-tubes Series 1480 ► from page 252

Supplement Part No. with required radius. Example: 1500.038.100.0



ESD/ATEX permanently conductive e-chains® - 1500 several widths with delivery from stock:
Inner widths *Bi* 15 - 80, radii *R* 38 - 145. Full ESD delivery program ► www.igus.eu/eu/ESD

Open e-chains® in a flash with the igus® e-chain® opener

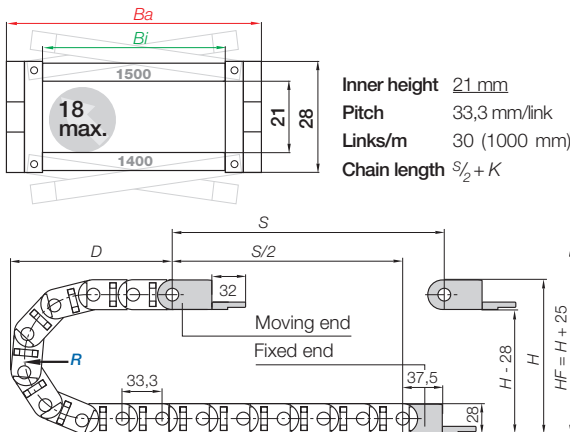
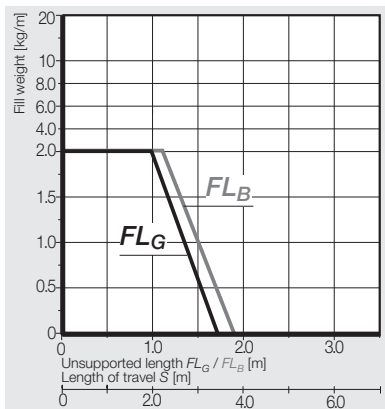
Reduce assembly time from 33 to 2 sec. with the igus® e-chain® Opener. Open a long piece of e-chain® in one go. Part No. 908.254.1400 for Series 1400/1500. For widths *Bi* [mm]: 20, 50, 68, 80, 100.

Further information and video ► www.igus.eu/eu/savetime





Unsupported applications | Short travels



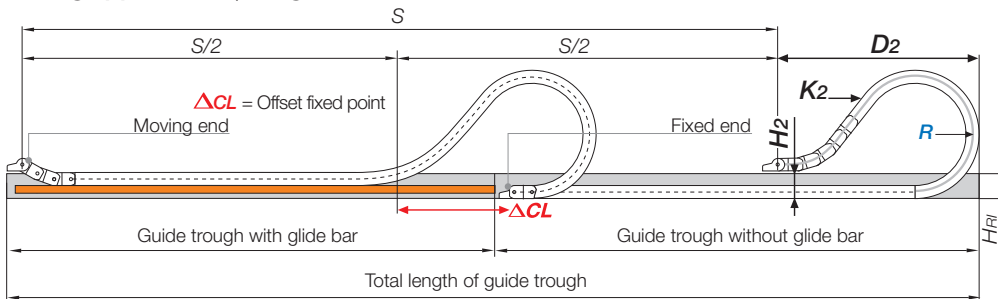
Inner height 21 mm
Pitch 33,3 mm/link
Links/m 30 (1000 mm)
Chain length $\frac{S}{2} + K$

R	035	038	048	075	100	125	145	180
H	98	104	124	178	228	278	318	388
D	99	102	112	139	164	189	209	244
K	180	190	220	305	385	460	525	635

The required clearance height: $H_F = H + 25$ mm (with 0,5 kg/m fill weight)

Before using Series 1400 on long travels please consult igus®.

Gliding applications | Long travels from 10 m to max. 75 m



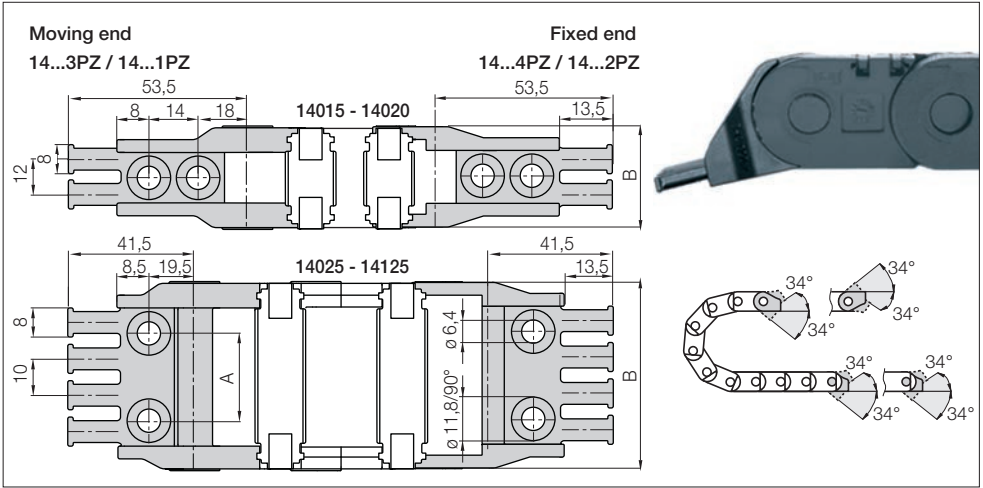
Note: For using Series 1400 for long travels (gliding), please consult with igus® first.

For long travels, igus® specifies **Series 1500** that snaps open along the outer radius.

In case of travels between 4 and 10 m we recommend a longer unsupported length. **Chain length** $\frac{S}{2} + K_2$

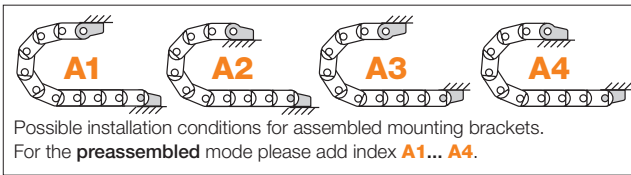
R	035	038	048	075	100	125	145	180
H ₂	70	76	96	150	100	100	100	100
D ₂ +25	99	102	112	139	340	495	540	690
K ₂	180	190	220	305	600	800	940	1170
Delta CL	-	-	-	-	179	305	340	445

Before using Series 1400 on long travels please consult igus®.

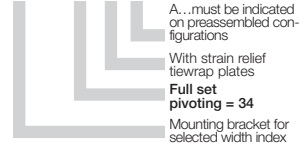


Polymer pivoting | Standard | Recommended for unsupported and gliding applications
Polymer locking | Recommended for vertical hanging and standing applications

Width Index	Part No. full set pivoting: with tiewrap plates	Part No. full set locking: with tiewrap plates	Dim A [mm]	Dim B [mm]	Number of teeth
.015. ▶	14015.34PZ	14015.12PZ	–	28,5	2
.020. ▶	14020.34PZ	14020.12PZ	–	33,5	2
.025. ▶	14025.34PZ	14025.12PZ	13	38,5	2
.038. ▶	14038.34PZ	14038.12PZ	24	51,5	4
.050. ▶	14050.34PZ	14050.12PZ	36	63,5	5
.068. ▶	14068.34PZ	14068.12PZ	54	81,5	7
.080. ▶	14080.34PZ	14080.12PZ	66	93,5	8
.100. ▶	14100.34PZ	14100.12PZ	86	113,5	10
.125. ▶	14125.34PZ	14125.12PZ	111	138,5	13

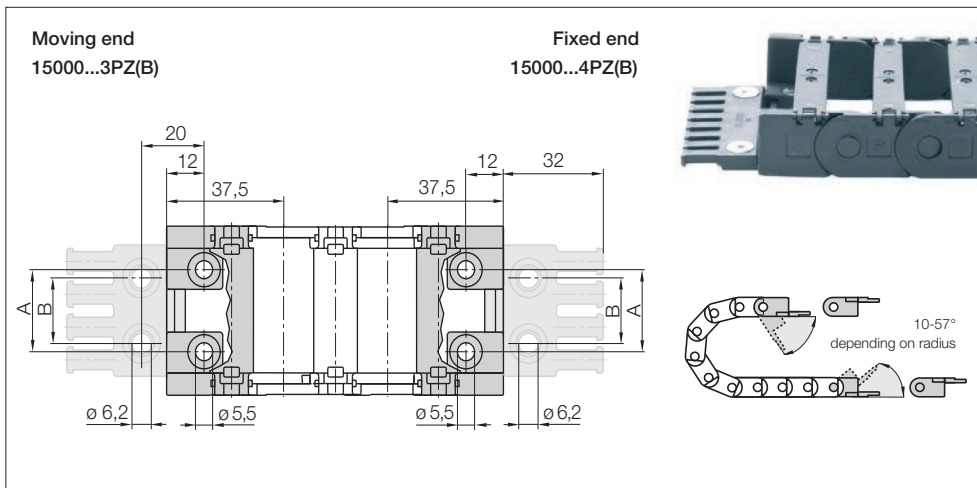


Part No. structure
14038. 34 PZ A1



Strain relief e.g. clamps, tiewrap plates, nuggets and plug-in clips are available from stock. The complete chainfix range with order options ▶ from page 630

Mounting brackets, polymer | pivoting

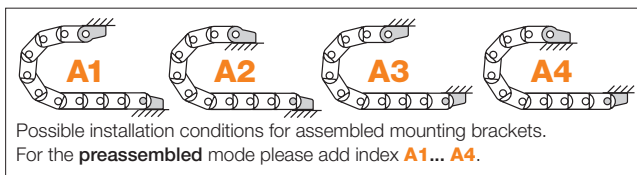


Polymer pivoting | Recommended for unsupported and gliding applications For tight installation conditions

Width Index	Part No. full set pivoting:		Dim A [mm]	Dim B [mm]	Number of teeth
	with tiwrap plates	without tiwrap plates			
.015. ▶	-	-	-	-	-
.020. ▶	-	-	-	-	-
.025. ▶	15000.025.34PZB	15000.025.34PZ	12	15	3
.038. ▶	15000.038.34PZB	15000.038.34PZ	25	20	4
.050. ▶	15000.050.34PZB	15000.050.34PZ	37	30	5
.068. ▶	15000.068.34PZB	15000.068.34PZ	55	40	6
.080. ▶	15000.080.34PZB	15000.080.34PZ	67	60	8
.100. ▶	15000.100.34PZB	15000.100.34PZ	87	80	10
.125. ▶	15000.125.34PZB*	15000.125.34PZ*	112	100	12

*Tiewrap plate (consists of 2 x 2050.ZB) does not snap on but needs to be bolted down separately

Note: Mounting brackets not to assemble at the gable end



Part No. structure

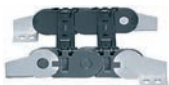
15000.038.34PZ**A1**

A... must be indicated on preassembled configurations

With strain relief tiwrap plates

Full set pivoting = 34

Mounting bracket for selected width index

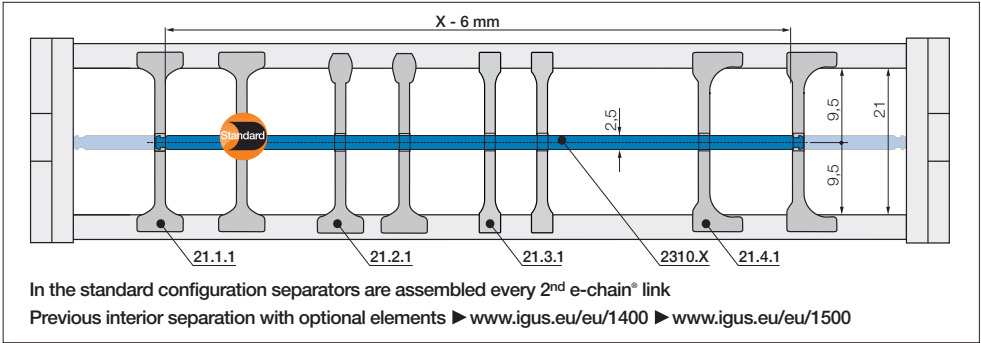


Option: Steel locking Part No. 14000.12 - For e-chains® and e-tubes available

- Locked connections
- One part (2-piece) for all e-chain® widths
- Electrically conductive



Strain relief e.g. clamps, tiwrap plates, nuggets and plug-in clips are available from stock. The complete chainfix range with order options ▶ from page 630



Standard separator, wide base

unassembled	21.1
assembled	21.1.1

Standard - for all applications

Separator with wide base for maximum locking strength and safe standing in e-chains®.

Separator, narrow head

unassembled	21.2
assembled	21.2.1

For even faster installation

Firm hold to one side with a wide base, narrow on opposed side for easy cable assembly (slight grip).

Separator, narrow base

unassembled	21.3
assembled	21.3.1

For many thin cables

Separator with a narrow base for a large number of thin cables side by side. Saves space in e-chains®.

Separator, asymmetrical

unassembled	21.4
assembled	21.4.1

For side-mounted applications

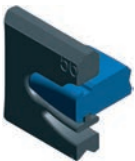
Asymmetrical separator, for defined distance. No additional spacers necessary.

Full-width shelf, lockable

unassembled	2300.X
assembled	2310.X

Horizontal separation

Full-width shelf locks safely into separators on both ends, fixed width possible. Separators can be moved freely over the shelf in horizontal direction. Can be used at one height.



Lockable full-width shelves - for the standard interior separation

Width X [mm]	unassembled	assembled	Width X [mm]	unassembled	assembled	Width X [mm]	unassembled	assembled
015	2300.015	2310.015	060	2300.060	2310.060	087	2300.87	2310.087
025	2300.025	2310.025	062	2300.062	2310.062	090	2300.90	2310.090
030	2300.030	2310.030	065	2300.065	2310.065	100	2300.100	2310.100
038	2300.038	2310.038	070	2300.070	2310.070	103	2300.103	2310.103
040	2300.040	2310.040	075	2300.075	2310.075	110	2300.110	2310.110
050	2300.050	2310.050	077	2300.077	2310.077	120	2300.120	2310.120
057	2300.057	2310.057	080	2300.080	2310.080	125	2300.125	2310.125